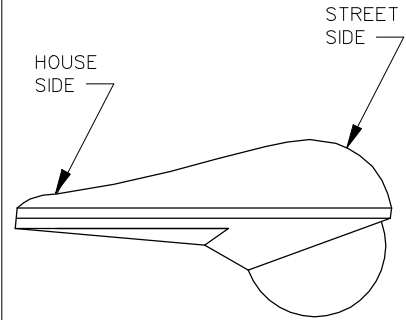
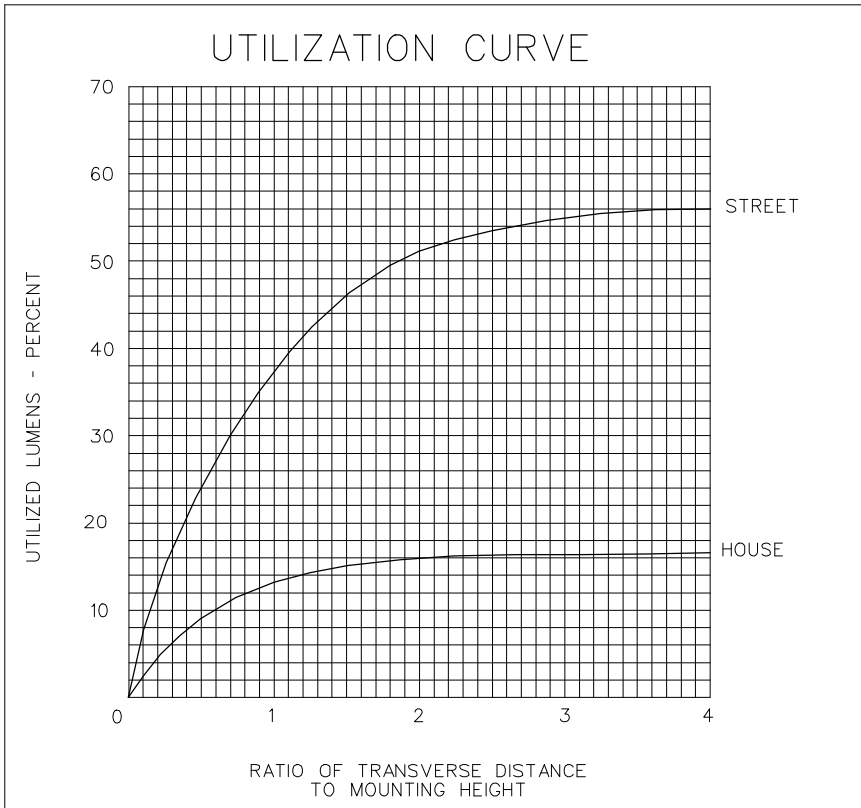
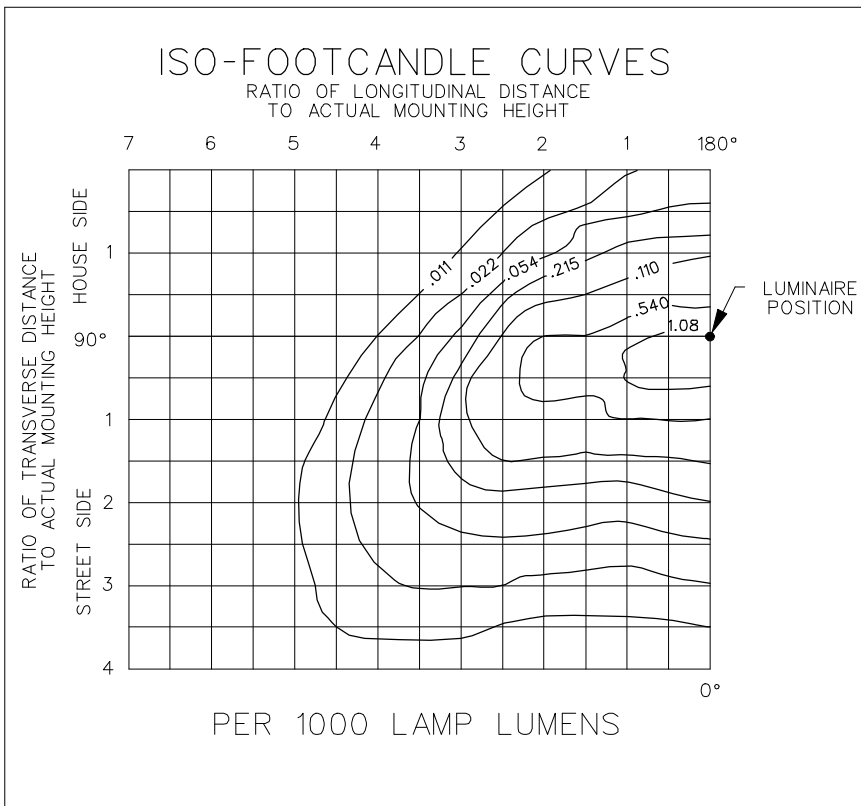


Photometric Data 250W Type III Medium Distribution,
Semi-Cutoff



PHOTOMETRIC DATA DISTRIBUTION
ANSI/IES TYPE III MEDIUM SEMI-CUTOFF/LAMP S50, 250W, 27,500
LUMENS (INITIAL) CLEAR LAMP
30' (9.0 m) MOUNTING HEIGHT.



MOUNTING HEIGHT FT [m]	HEIGHT CORRECTION FACTOR
20 [6.0]	2.25
25 [7.5]	1.44
30 [9.0]	1.00
35 [10.5]	0.73
40 [12.0]	0.56
45 [13.5]	0.44
50 [15.0]	0.36

MULTIPLY VALUES BY CORRECTION FACTOR FOR DESIRED MOUNTING HEIGHT

USE TABLE ABOVE OR

$$\text{FACTOR (ENGLISH)} = \frac{900}{\text{MH}^2}$$

$$\text{FACTOR (METRIC)} = \frac{81}{\text{MH}^2}$$

Figure 901.11.1