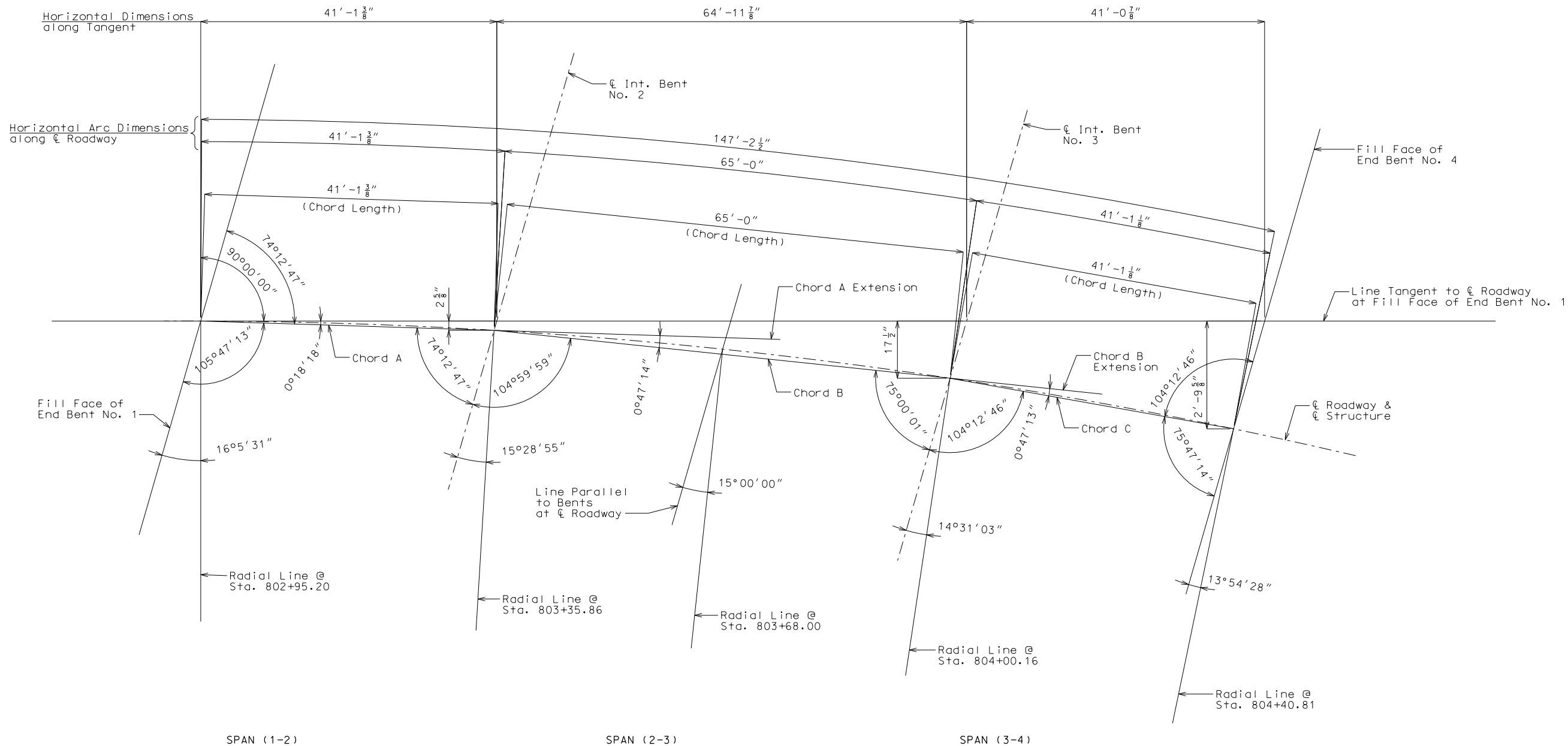


EPG 751.5.2.4 Substructure Layout
 This example shows single lane tied at end bent.
 Use for curved bridges (steel or concrete girders).
 Typically placed before first end bent detail sheet.



PLAN

SUBSTRUCTURE LAYOUT

General Notes:
 All bents are parallel.
 All dimensions are horizontal.

"THIS MEDIA SHOULD NOT BE CONSIDERED A CERTIFIED DOCUMENT."

DATE PREPARED 3/19/2015	
ROUTE 13	STATE MO
DISTRICT BR	SHEET NO. *
COUNTY JOHNSON	
JOB NO. J4P1138C	
CONTRACT ID.	
PROJECT NO.	
BRIDGE NO. EXAMPLE	
DESCRIPTION	DATE

MISSOURI HIGHWAYS AND TRANSPORTATION COMMISSION

105 WEST CAPITOL
 JEFFERSON CITY, MO 65102
 1-888-ASK-MODOT (1-888-275-6636)

Detailed Nov. 2014
 Checked Nov. 2014

Note: This drawing is not to scale. Follow dimensions. Sheet No. of

Girder layout for curved bridges with prestressed concrete girders or beams.
Place this sheet before the girder or beam detail sheets.

"THIS MEDIA SHOULD NOT BE CONSIDERED A CERTIFIED DOCUMENT."

DATE PREPARED

3/20/2015

ROUTE STATE

13 MO

DISTRICT SHEET NO.

BR *

COUNTY

JOHNSON

JOB NO.

J4P1138C

CONTRACT ID.

PROJECT NO.

BRIDGE NO.

EXAMPLE

DESCRIPTION

DATE

DATE

DATE

DATE

DATE

DATE

DATE

DATE

DATE

DATE

DATE

DATE

DATE

DATE

DATE

DATE

DATE

DATE

DATE

DATE

DATE

DATE

DATE

DATE

DATE

DATE

DATE

DATE

DATE

DATE

DATE

DATE

DATE

DATE

DATE

DATE

DATE

DATE

DATE

DATE

DATE

DATE

DATE

DATE

DATE

DATE

DATE

DATE

DATE

DATE

DATE

DATE

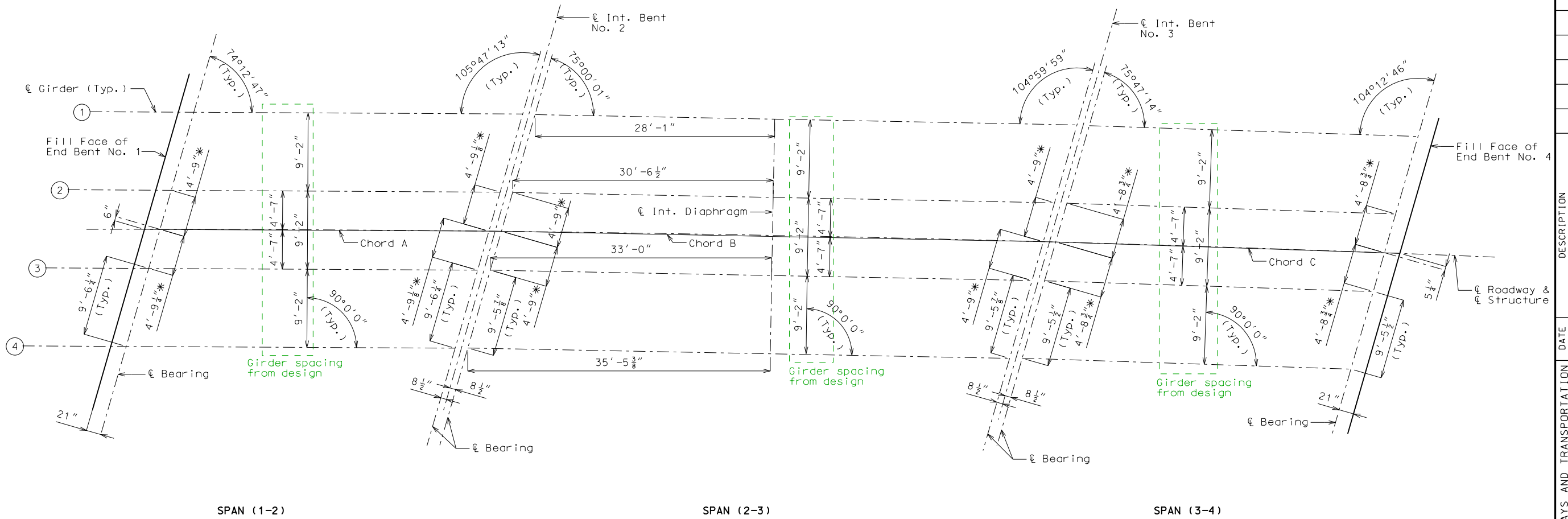
DATE

DATE

DATE

DATE

DATE



PLAN

GIRDER LAYOUT

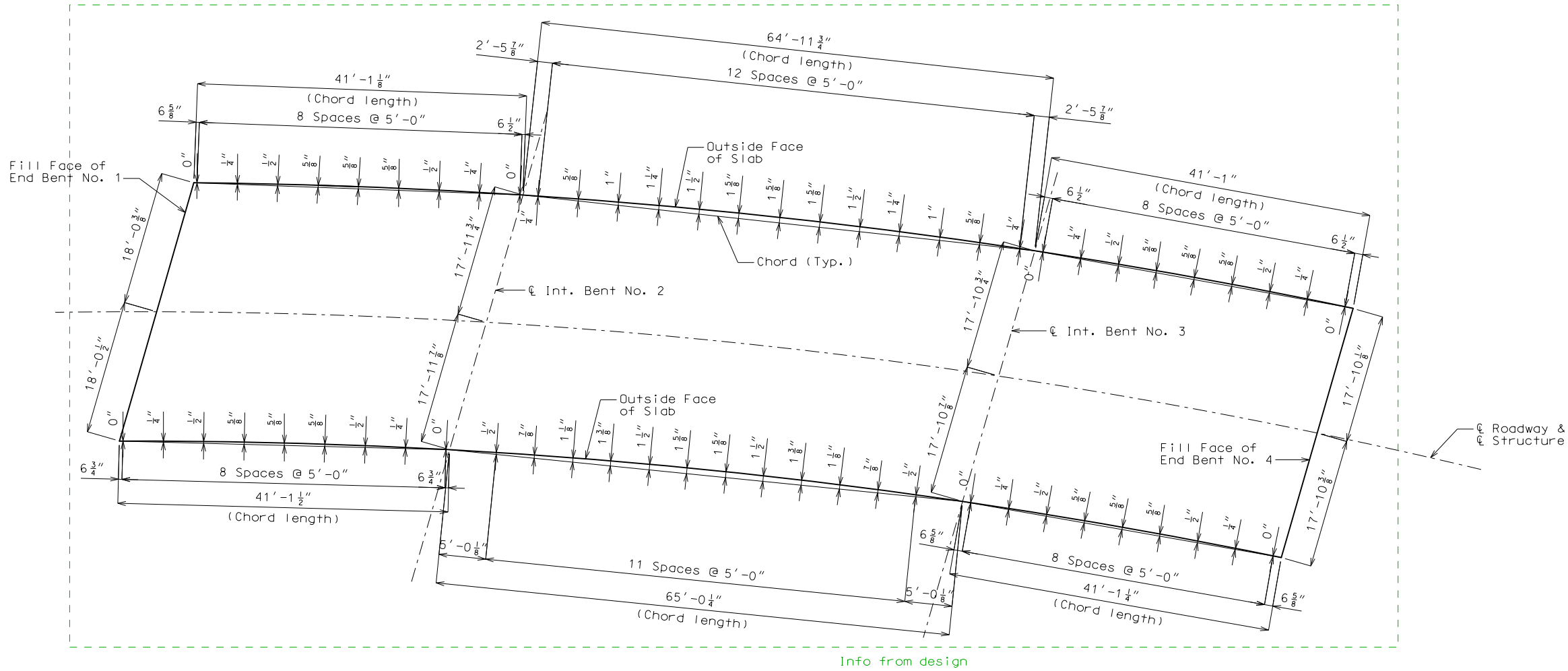
General Notes:
 All dimensions are horizontal.
 All bents are parallel.
 Girders within a span are parallel to chords.
 See Sheet No. 18 for Details of Steel Intermediate Diaphragms.
 * Dimensions along bearing are to Chords A, B, and C.

Omit Plan Showing Location of Intermediate Diaphragms on steel intermediate diaphragm sheet, since locations are shown here.

IF A SEAL IS PRESENT ON THIS SHEET IT HAS BEEN ELECTRONICALLY SEALED AND DATED.

MISSOURI HIGHWAYS AND TRANSPORTATION COMMISSION

105 WEST CAPITOL
JEFFERSON CITY, MO 65102
1-888-ASK-MODOT (1-888-275-6636)



SPAN (1-2)

SPAN (2-3)

SPAN (3-4)

PLAN

All dimensions are horizontal.
All bents are parallel.

SLAB CURVE ORDINATES

Note: This drawing is not to scale. Follow dimensions.

Sheet No. of

"THIS MEDIA SHOULD NOT BE CONSIDERED A CERTIFIED DOCUMENT."

DATE PREPARED

3/19/2015

ROUTE STATE

13 MO

DISTRICT SHEET NO.

BR 6

COUNTY

JOHNSON

JOB NO.

J4P1138C

CONTRACT ID.

PROJECT NO.

BRIDGE NO.

EXAMPLE

DESCRIPTION

DATE

MISSOURI HIGHWAYS AND TRANSPORTATION COMMISSION

105 WEST CAPITOL

JEFFERSON CITY, MO 65102

1-888-ASK-MODOT (1-888-275-6636)

MODOT

REVISIONS

REV.

IF A SEAL IS PRESENT ON THIS SHEET IT HAS BEEN ELECTRONICALLY SEALED AND DATED.

Example_plans_curve_04_2015_curve_ordinates.dgn

8:19:07 AM

3/19/2015