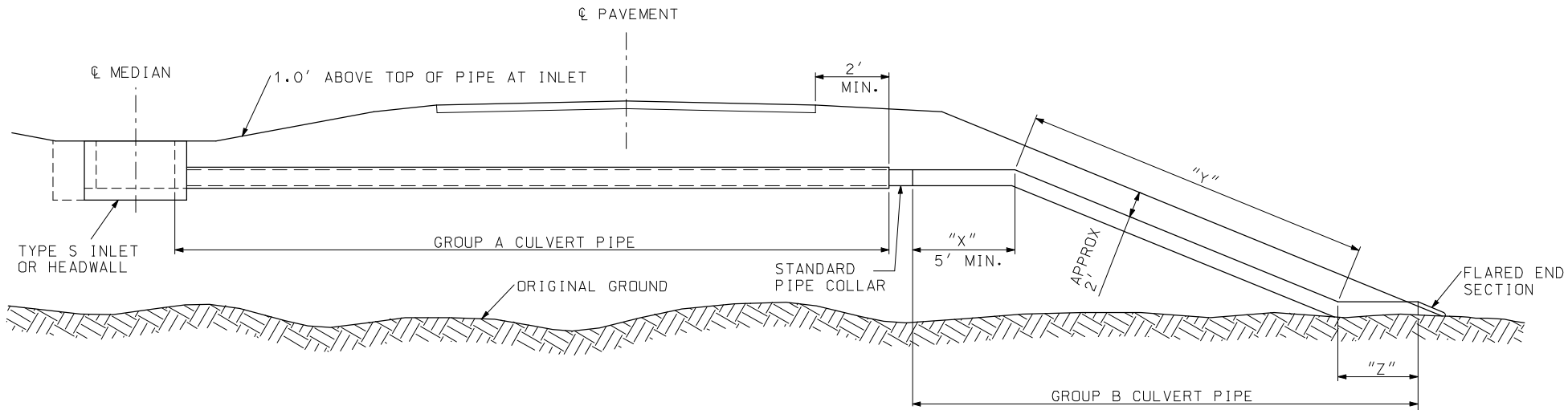


MEDIAN PIPE ON STRAIGHT ALIGNMENT
 USE WHEN PIPE SLOPE IS 10% OR LESS



COMBINATION OF GROUP A AND GROUP B PIPE ON BROKEN-BACK ALIGNMENT
 USE WHEN PIPE SLOPE IS MORE THAN 10%