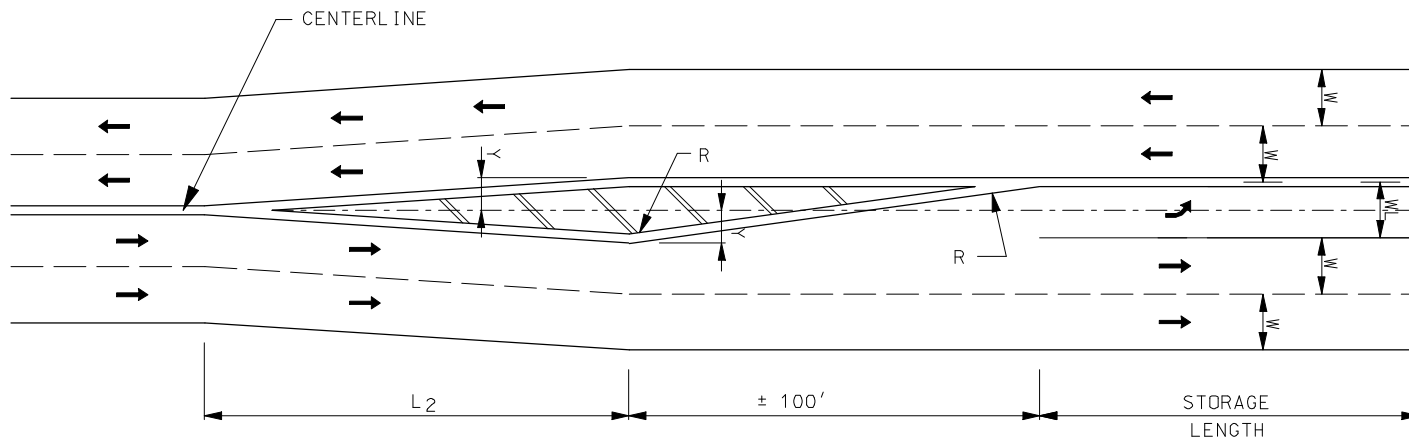


| DESIGN CRITERIA | | | | |
|-----------------|-----------|-----------------------|-----------------------|----------|
| WL FT. | VA MPH | L ₁ FT. | L ₂ FT. | R FT. |
| 10 | 50 | 500 | 250 | 670 |
| 11 | 50 | 550 | 275 | 670 |
| 12 | 50 | 600 | 300 | 670 |
| 10 | 60 | 600 | 300 | 840 |
| 11 | 60 | 660 | 330 | 840 |
| 12 | 60 | 720 | 360 | 840 |

LEGEND:
 VA = 85 PERCENTILE SPEED, mph.
 L = LENGTH OF TAPER, FT.
 R = RADIUS, INSIDE EDGE OF LEFT
 TURN LANE, FT.
 W = WIDTH OF THROUGH LANE, FT.
 WL = WIDTH OF LEFT TURN LANE, FT.
 Y = OFFSET, OUTER EDGE OF ISLAND
 TO CENTERLINE, FT.

NOTE:
 PAVEMENT MARKINGS TO BE DONE
 BY MAINTENANCE DIVISION.



Transitions for Left Turn With Flush Medians
 50 & 60 mph Design