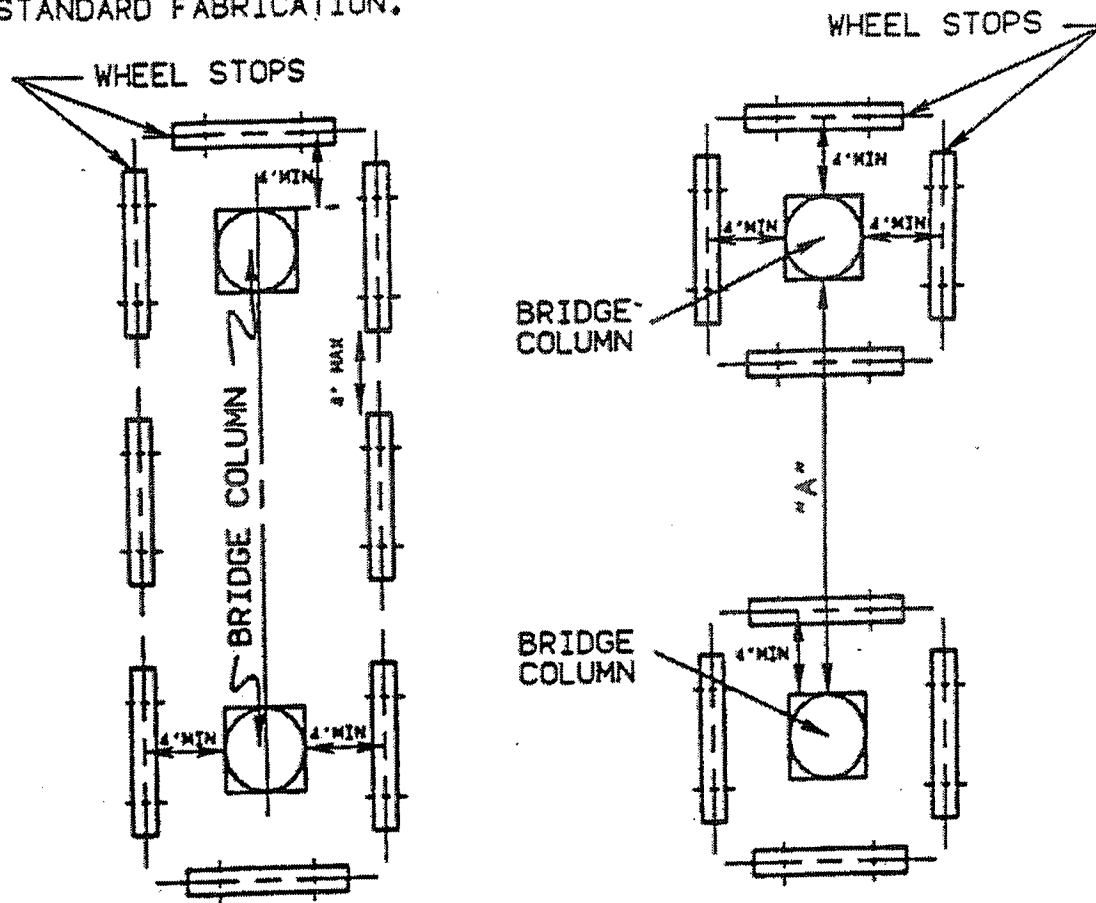


NOTE:
MINOR VARIATIONS IN SHAPE & DIMENSIONS WILL BE PERMITTED TO ALLOW THE USE OF MANUFACTURER'S STANDARD FABRICATION.



WHEEL STOP INSTALLATION DETAILS

OPTION "I"
NOTE: OPTION "I" MAY BE USED WHEN "A" IS 18' OR GREATER

BRIDGE COLUMN PROTECTION
VEHICULAR TRAFFIC