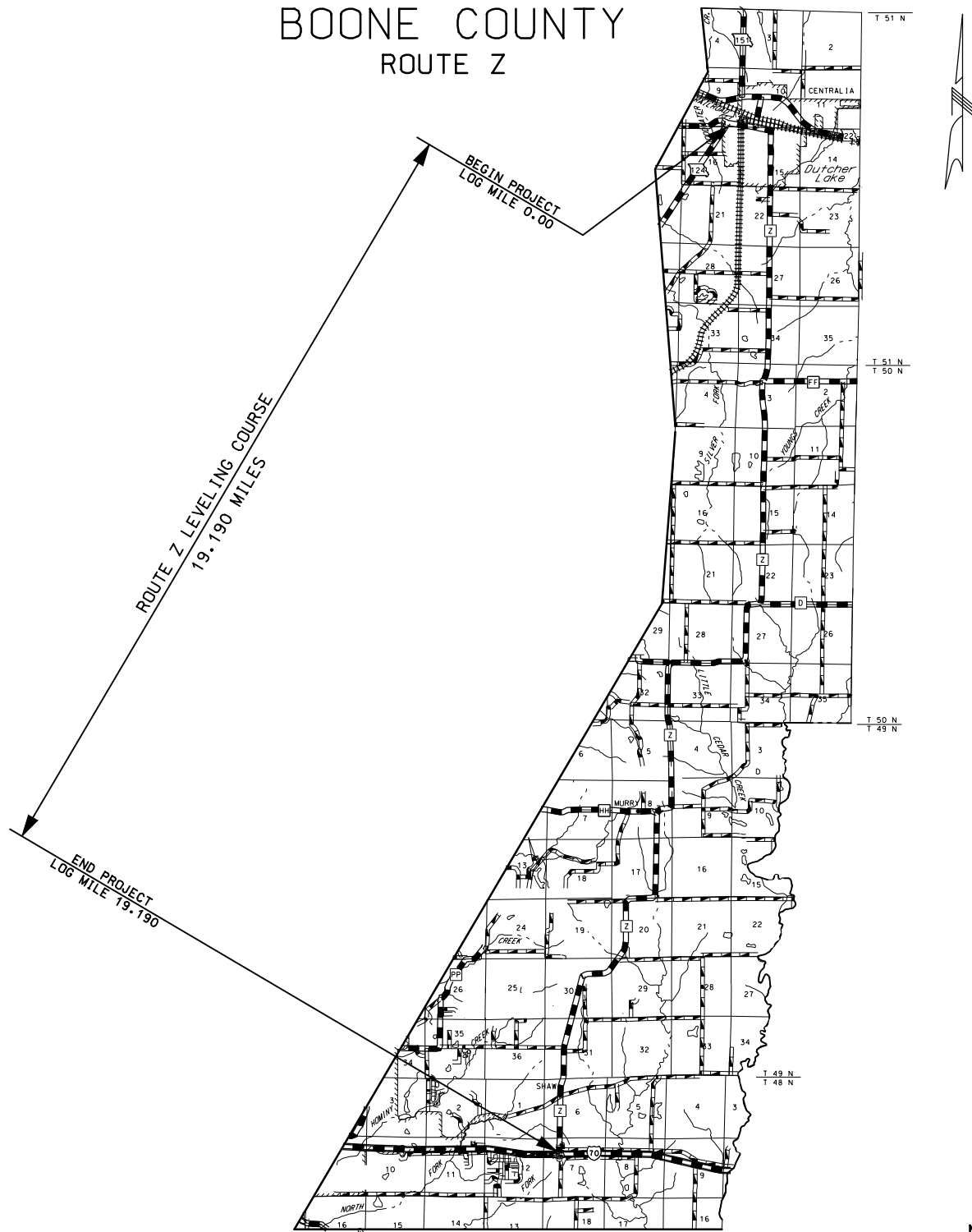


MISSOURI HIGHWAYS AND TRANSPORTATION COMMISSION

PLANS FOR PROPOSED STATE HIGHWAY

BOONE COUNTY
ROUTE Z



NOT TO SCALE

INDEX OF SHEETS

DESCRIPTION	SHEET NUMBER
TITLE SHEET -----	1
TYPICAL SECTIONS (TS) (1 SHEET)----	2
QUANTITIES (QU) (1 SHEET)-----	3
PLAN (PP)-----	4
TRAFFIC CONTROL SHEETS (TC)-----	5-7

"THIS MEDIA SHOULD
NOT BE CONSIDERED
A CERTIFIED
DOCUMENT."

DATE PREPARED
4/26/2010

ROUTE STATE
Z MO

DISTRICT SHEET NO.
5 1

COUNTY
BOONE

JOB NO.
J1S3009K

CONTRACT ID.

PROJECT NO.

BRIDGE NO.

DESCRIPTION

DATE

MISSOURI HIGHWAYS AND TRANSPORTATION
COMMISSION



105 WEST CAPITOL
JEFFERSON CITY, MO 65102
1-888-ASK-MODOT (1-888-275-6636)

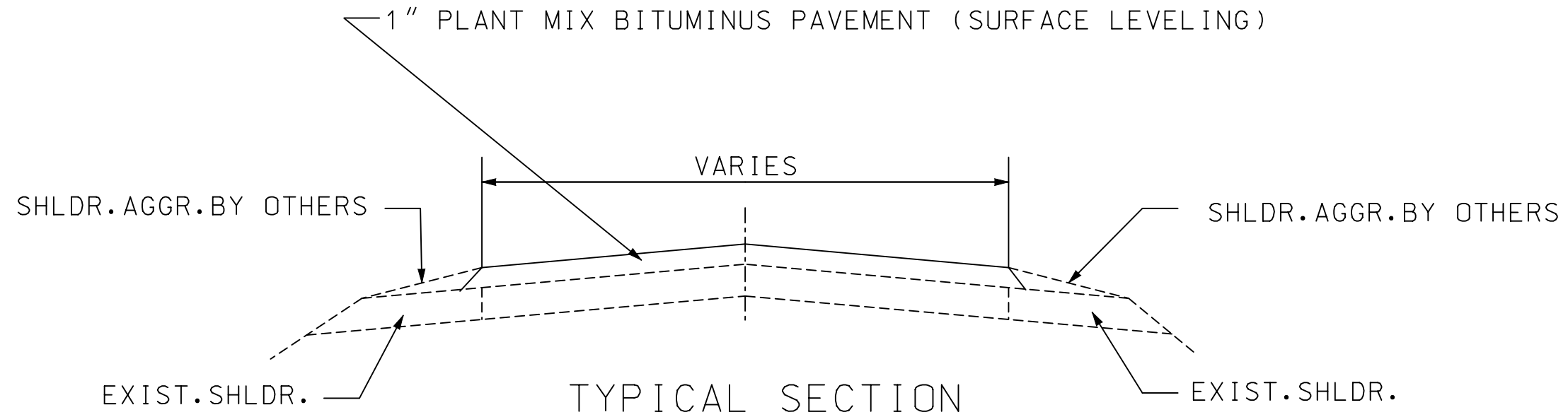
REV.

LENGTH OF PROJECT

BEGINNING OF PROJECT	LOG MILE 0.00
END OF PROJECT	LOG MILE 19.190
APPARENT LENGTH	19.190 MILES
EQUATIONS AND EXCEPTIONS:	

TOTAL CORRECTIONS	0.00 FEET
NET LENGTH OF PROJECT	19.190 MILES
STATE LENGTH	19.190 MILES

Example of Contract Leveling Course Plans
Title Sheet



NOTE: SURFACE PLACEMENT SHALL BE ONE PASS PER LANE
 NO S.E. CORRECTION.

TYPICAL SECTION
 SHEET 1 OF 1

THIS MEDIA SHOULD NOT BE CONSIDERED A CERTIFIED DOCUMENT.

DATE PREPARED
 4/26/2010

ROUTE Z	STATE MO
DISTRICT 5	SHEET NO. 2

COUNTY
 BOONE

JOB NO.
 J1S3009K


CONTRACT ID.

PROJECT NO.

BRIDGE NO.

DESCRIPTION	DATE

MISSOURI HIGHWAYS AND TRANSPORTATION COMMISSION



105 WEST CAPITOL
 JEFFERSON CITY, MO 65102
 1-888-ASK-MODOT (1-888-275-6636)

IF A SEAL IS PRESENT ON THIS SHEET IT HAS BEEN ELECTRONICALLY SEALED AND DATED.

Example of Contract Leveling Course Plans
 Typical Section

"THIS MEDIA SHOULD NOT BE CONSIDERED A CERTIFIED DOCUMENT."

DATE PREPARED
4/26/2010

ROUTE Z STATE MO

DISTRICT 5 SHEET NO. 5

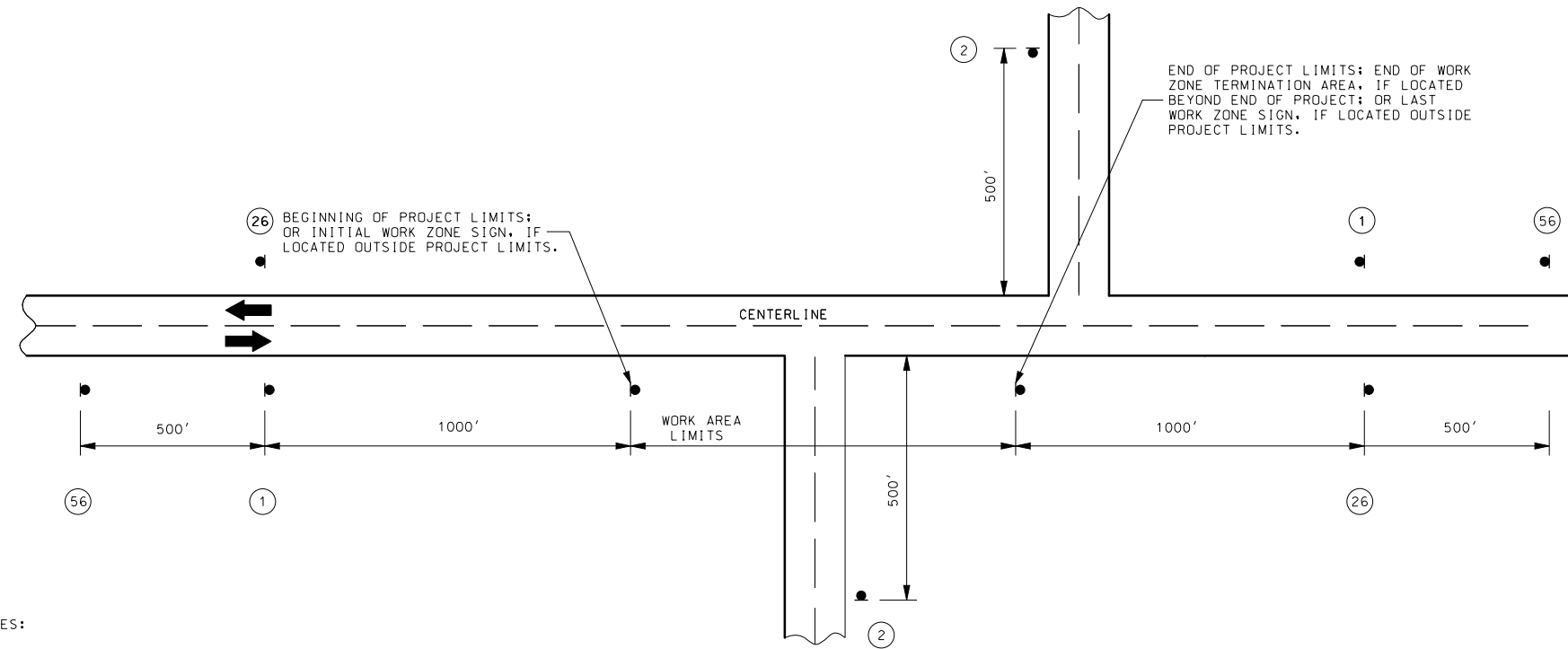
COUNTY
BOONE

JOB NO.
J1S3009K

CONTRACT ID.

PROJECT NO.

BRIDGE NO.



END OF PROJECT LIMITS; END OF WORK ZONE TERMINATION AREA, IF LOCATED BEYOND END OF PROJECT; OR LAST WORK ZONE SIGN, IF LOCATED OUTSIDE PROJECT LIMITS.

26 BEGINNING OF PROJECT LIMITS; OR INITIAL WORK ZONE SIGN, IF LOCATED OUTSIDE PROJECT LIMITS.

NOTES:

SIGN 1 IS ONLY USED ON PROJECT LENGTHS 2 MILES OR GREATER.

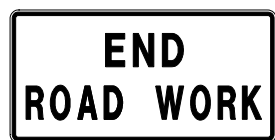
SIGN 26 MAY BE USED ON PROJECTS LESS THAN 2 MILES.

PROVIDE SIGNS IN EACH DIRECTION ON TWO-WAY HIGHWAY.

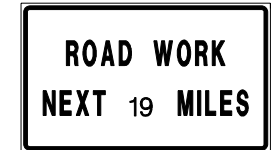
DISTANCE MAY BE ADJUSTED ACCORDING TO FIELD CONDITIONS.



CONST-6-48



G020-2a



G020-1



W020-1

TRAFFIC CONTROL

SHEET 1 OF 3

DESCRIPTION

DATE

MISSOURI HIGHWAYS AND TRANSPORTATION COMMISSION

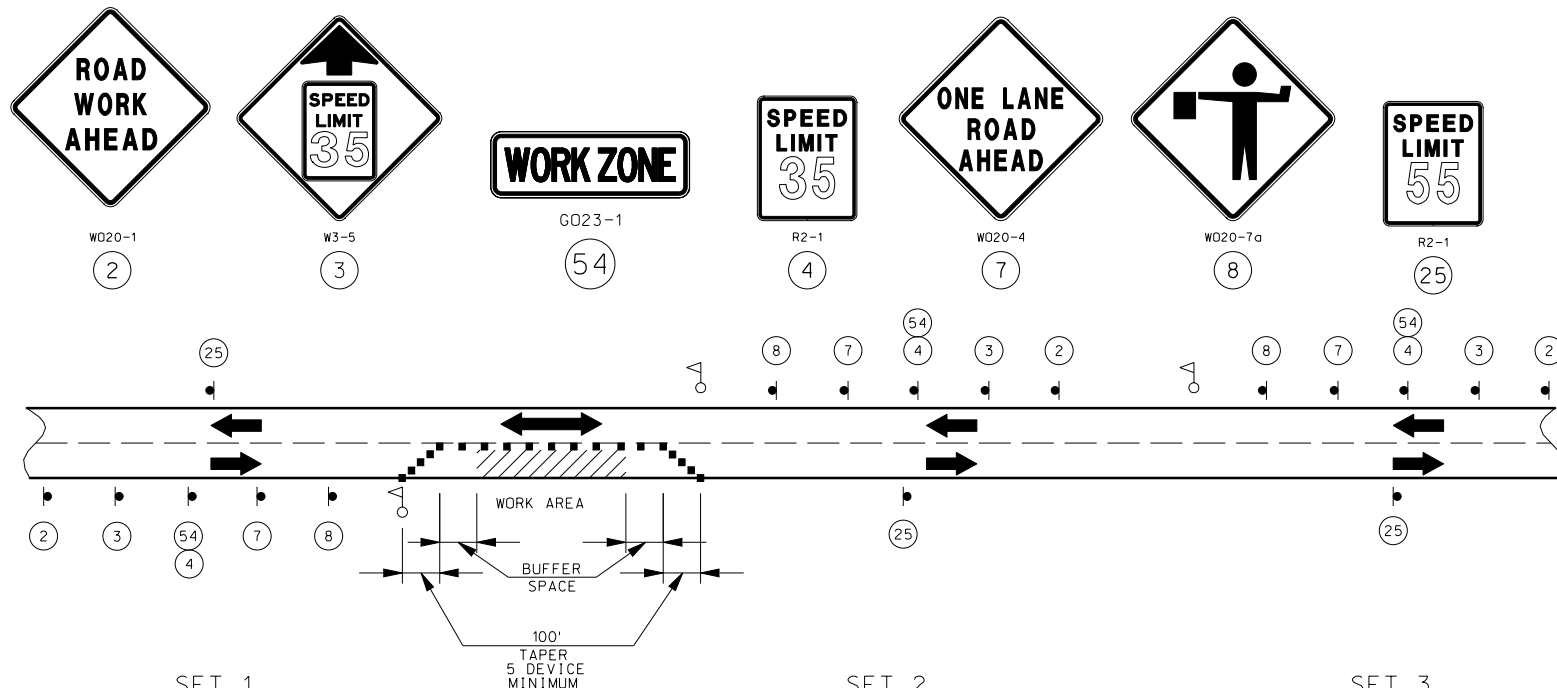


105 WEST CAPITOL JEFFERSON CITY, MO 65102 1-888-ASK-MODOT (1-888-275-6636)

REV.

IF A SEAL IS PRESENT ON THIS SHEET IT HAS BEEN ELECTRONICALLY SEALED AND DATED.

Example of Contract Leveling Course Plans Traffic Control - Sheet 1



THIS SET OF SIGNS IS PLACED WITH SIGN LEGEND TURNED AWAY FROM BOTH DIRECTIONS OF TRAFFIC UNTIL RESURFACING OPERATIONS APPROACH THE LOCATION OF SIGN SET 2, THEN THE SIGNS ARE POSITIONED TO FACE ONCOMING TRAFFIC.

AFTER SET 3 SIGNS ARE ERECTED, THE SET 2 SIGNS ARE MOVED TO THE OPPOSITE SIDE OF THE ROAD. WHEN THE RESURFACING OPERATION HAS CLEARED THE SET 2 LOCATION THE REQUIRED SIGN SPACING DISTANCES, THE SET 2 SIGNS BECOME SET 1 SIGNS.

WHEN RELOCATED SET 2 SIGNS ARE PLACED IN OPERATION, SET 1 SIGNS ARE MOVED AHEAD OF THE RESURFACING AND BECOME SET 3 SIGNS.

■ - CHANNELIZERS. NO DIRECT PAYMENT WILL BE MADE FOR CONES, DRUM-LIKE, OR TRIM-LINE CHANNELIZERS, OR FOR THE RELOCATION OF CHANNELIZERS AS SHOWN ON THE PLANS. CONES ALLOWABLE FOR DAYLIGHT OPERATIONS ONLY.

△ FLAGGER

NOTES:

DAYLIGHT FLAGGING OPERATIONS ONLY.

CHANNELIZING DEVICES LOCATED DOWNSTREAM OF THE ONE-LANE, TWO-WAY TAPER ARE OPTIONAL. THESE DEVICES SHOULD BE ELIMINATED WHEN THEIR USE WILL REDUCE THE USABLE LANE WIDTH, INCLUDING ANY ACCEPTABLE SHOULDERS, TO LESS THAN 10' OR WILL SIGNIFICANTLY AFFECT THE RESURFACING OPERATION.

NOTES:

DIMENSIONS IN FEET UNLESS OTHERWISE NOTED.

- (1) POSTED SPEED LIMIT PRIOR TO ROAD WORK.
- (2) SPACING BETWEEN SIGNS, BETWEEN LAST SIGN AND FLAGGER, BEGINNING OF TAPER OR SIGNED CONDITION.
- (3) SPACINGS MAY BE ADJUSTED AS NECESSARY TO MEET FIELD CONDITIONS.

SIGN SPACING FOR ADVANCE SIGN SERIES (2) (3)		
SPEED (1) MPH	NON-DIVIDED HIGHWAYS	DIVIDED HIGHWAYS
0 - 35	200	200
40 - 45	350	500
50 - 55	500	1000
60 - 70	1000	1000

TRAFFIC CONTROL
SHEET 2 OF 3

"THIS MEDIA SHOULD NOT BE CONSIDERED A CERTIFIED DOCUMENT."

DATE PREPARED

4/26/2010

ROUTE STATE

Z MO

DISTRICT SHEET NO.

5 6

COUNTY

BOONE

JOB NO.

J1S3009K

CONTRACT ID.

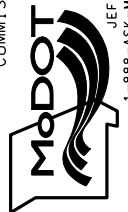
PROJECT NO.

BRIDGE NO.

DESCRIPTION

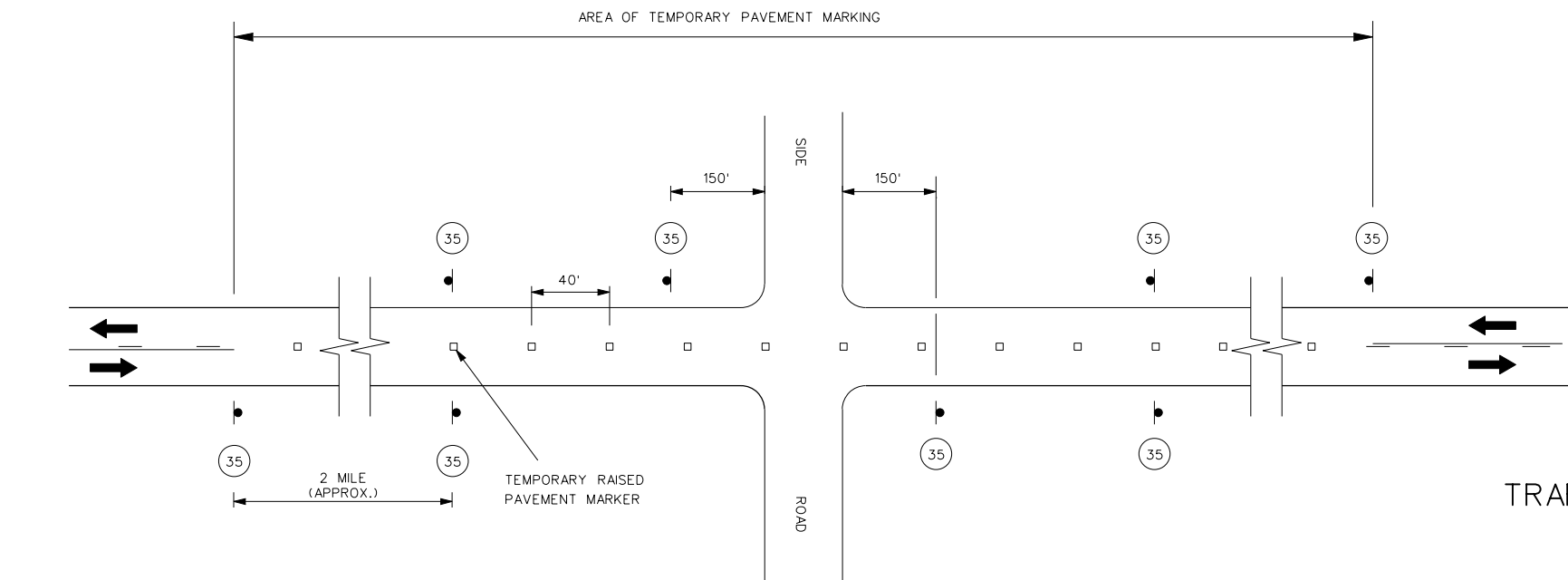
DATE

MISSOURI HIGHWAYS AND TRANSPORTATION COMMISSION



105 WEST CAPITOL
JEFFERSON CITY, MO 65102
1-888-ASK-MODOT (1-888-275-6636)

"NO CENTER STRIPE" SIGNS



TRAFFIC CONTROL PLAN

NOTES:

SIGN (35) AND TEMPORARY PAVEMENT MARKING INSTALLED WHERE CENTER STRIPING HAS BEEN COVERED OR REMOVED. SIGNS ARE TO REMAIN IN PLACE UNTIL THE PERMANENT CENTER PAVEMENT MARKINGS ARE IN PLACE. SIGNS SHALL BE COVERED OR REMOVED WHEN PERMANENT CENTER PAVEMENT MARKING HAS BEEN INSTALLED.

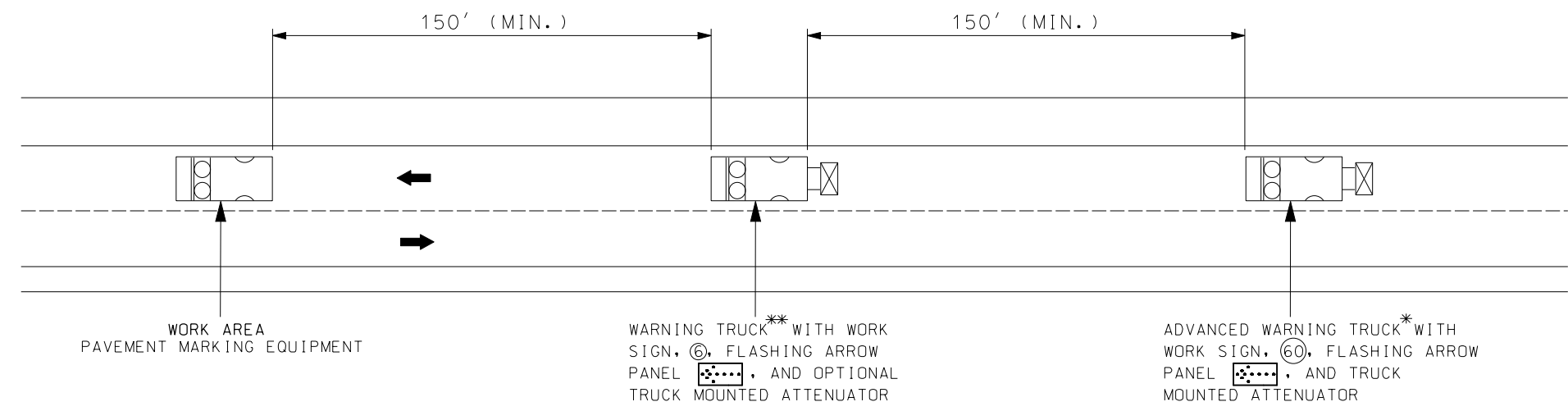
NOTES:

SIGN (35) IS PLACED AT APPROXIMATELY TWO MILE INTERVALS AND AT SIDE ROADS. WHEN SIGN (35) IS INSTALLED AT A SIDE ROAD, ANY OTHER SIGN (35) LOCATED WITHIN ONE-EIGHTH OF A MILE FROM THE SIDE ROAD MAY BE DELETED.

NOTES:

SIGN (35) SHALL BE POST MOUNTED IN ACCORDANCE WITH STANDARD PLANS 616.10 AND 903.03. TEMPORARY RAISED PAVEMENT MARKERS SHALL BE INSTALLED BY THE END OF EACH DAY.

MOVING OPERATION ON HIGHWAY OPEN TO TRAFFIC STRIPING

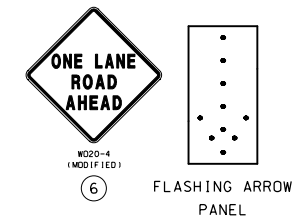
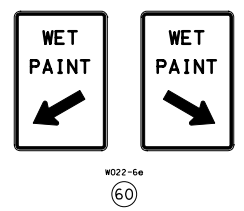


* - POSITIONED AT THE NO TRACK POINT OF THE PAVEMENT MARKING MATERIAL OR SPACING SHOWN, WHICHEVER IS GREATER.

** - WARNING TRUCK IS OPTIONAL ON TWO-LANE UNDIVIDED HIGHWAYS IF SIGNING AND ARROW BOARD ARE MOUNTED ON THE PAVEMENT MARKING EQUIPMENT.

NOTE:

WORK AND PROTECTIVE TRUCKS SHALL BE EQUIPPED WITH A MINIMUM OF 2 REVOLVING LIGHTS OR EQUIVALENT (NO. DIRECT PAY). FLASHING ARROW PANELS SHALL BE OPERATED IN ARROW MODE. UPON APPROVAL OF THE ENGINEER, THE CONTRACTOR MAY PROVIDE ADDITIONAL PROTECTIVE TRUCKS EQUIPPED WITH PROPER WARNING DEVICES.



TRAFFIC CONTROL SHEET 3 OF 3

NOT TO SCALE

"THIS MEDIA SHOULD NOT BE CONSIDERED A CERTIFIED DOCUMENT."

DATE PREPARED 4/26/2010	
ROUTE Z	STATE MO
DISTRICT 5	SHEET NO. 7
COUNTY BOONE	
JOB NO. J1S3009K	
CONTRACT ID.	
PROJECT NO.	
BRIDGE NO.	
DESCRIPTION	DATE

MISSOURI HIGHWAYS AND TRANSPORTATION COMMISSION

105 WEST CAPITOL
JEFFERSON CITY, MO 65102
1-888-ASK-MODOT (1-888-275-6636)

IF A SEAL IS PRESENT ON THIS SHEET IT HAS BEEN ELECTRONICALLY SEALED AND DATED. REV.