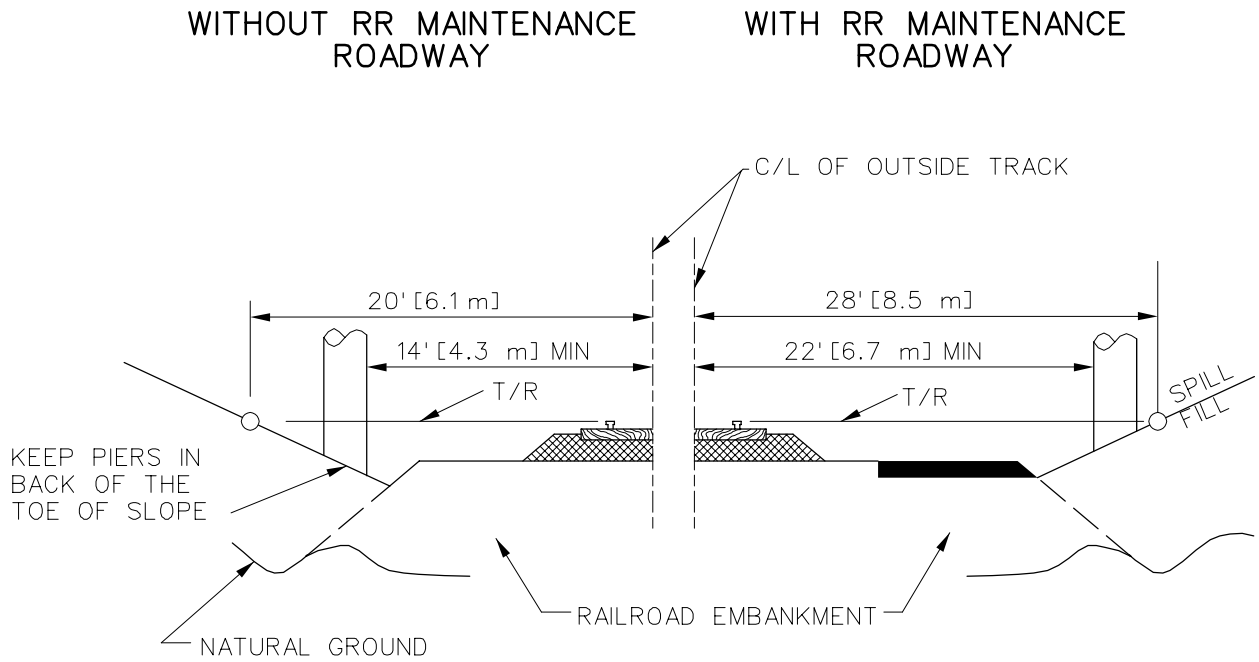
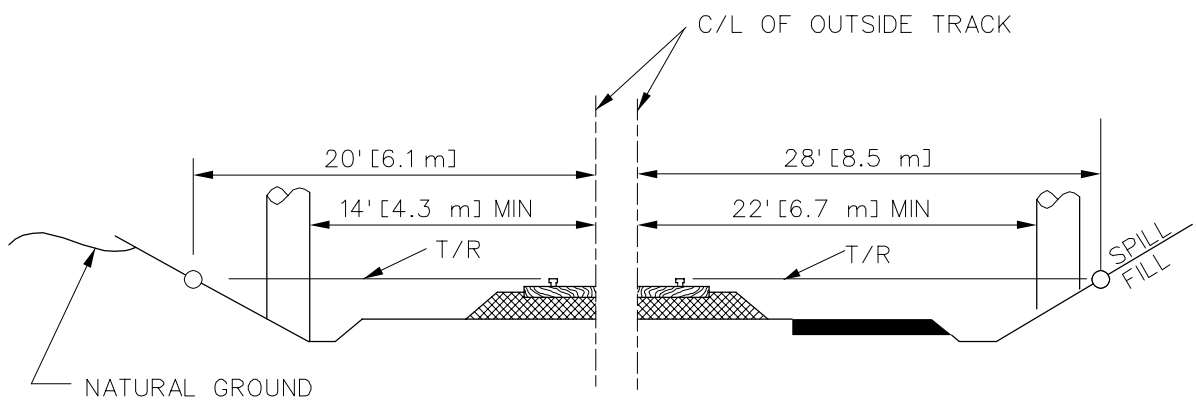


Spill Slope Clearance at Railroads



FILL SECTION



CUT SECTION