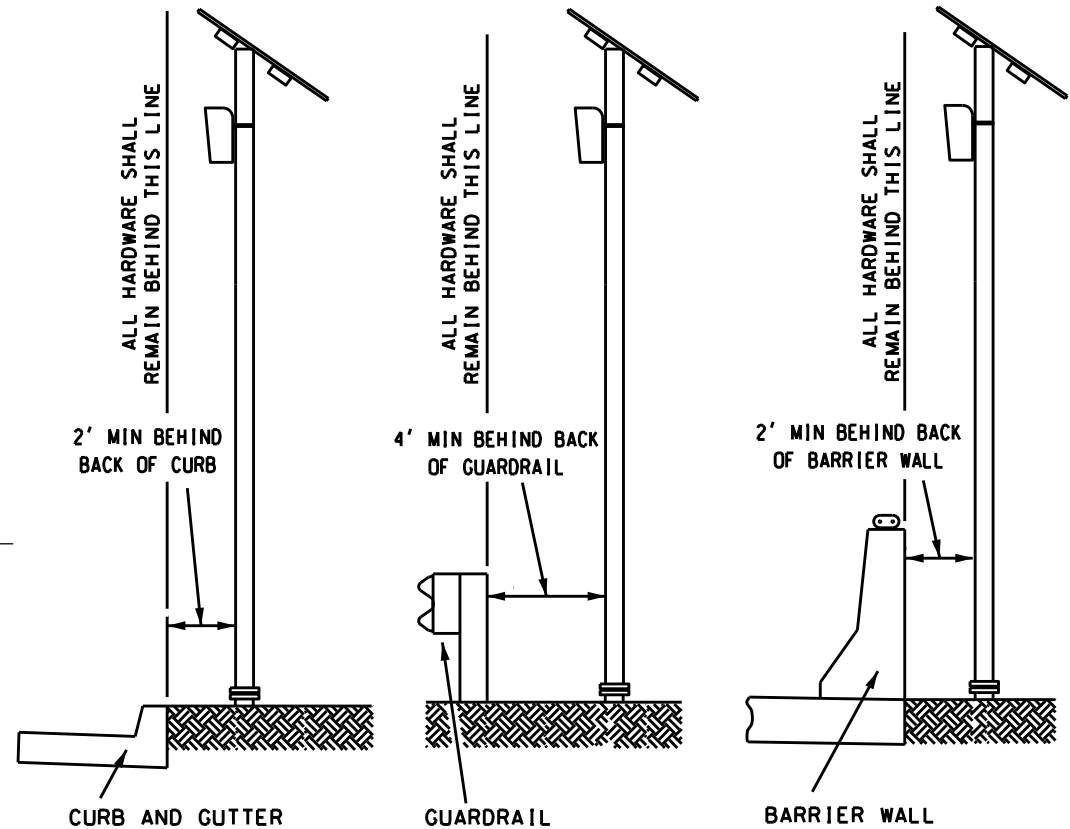
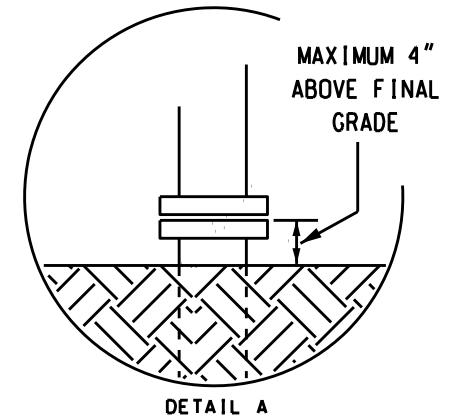


OFFSET REQUIREMENTS IF LPR IS PLACED BEHIND A BARRIER



THESE REQUIREMENTS APPLY TO TWO FLOCK SAFETY LPR SUPPORT SYSTEMS
 - FLOCK PROVELI BREAKAWAY SYSTEM
 - FLOCK REDI-TORQUE BREAKAWAY SYSTEM

- 1) NO OTHER DEVICES BESIDES THE LICENSE PLATE READER CAMERA AND SOLAR PANEL/BATTERY MAY BE MOUNTED TO THE SUPPORT POST
- 2) NO PORTION OF BREAKAWAY DEVICE FIXED TO THE GROUND SHALL BE MORE THAN 4" ABOVE FINISHED GRADE, SEE DETAIL A
- 3) THE INSTALLATION AND HARDWARE SHALL EXACTLY MATCH THE MODOT APPROVED FLOCK SAFETY DESIGN SHEETS
- 4) NO REMOTE BATTERY BOX MAY BE UTILIZED WITH THIS CONFIGURATION
- 5) INSTALLATIONS SHALL NOT BE PLACED ON SLOPES WITH GRADES STEEPER THAN 3:1
- 6) INSTALLATIONS SHALL NOT BE PLACED IN THE FLOW LINE OF DRAINAGE DITCHES
- 7) INSTALLATIONS SHALL NOT BE PLACED WITHIN 200 FEET UPSTREAM OR 50 FEET DOWNSTREAM OF ANY OTHER ROADWAY STRUCTURE
- 8) IF INSTALLED BEHIND A BARRIER, THE INSTALLATION SHALL BE A MINIMUM OF 50 FEET FROM THE BARRIER END
- 9) THE OWNERSHIP TAG SHALL BE FABRICATED TO LAST THE LIFE OF THE INSTALLATION AND SHALL CONTAIN THE AND CONTACT INFORMATION OF THE ENTITY RESPONSIBLE FOR MAINTAINING THE INSTALLATION
- 10) SEE MODOT EPG SECTION 941.10 FOR COMPLETE GUIDANCE ON LICENSE PLATE READER INSTALLATION PROCEDURES



FLOCK SAFETY BREAKAWAY LPR INSTALLATIONS